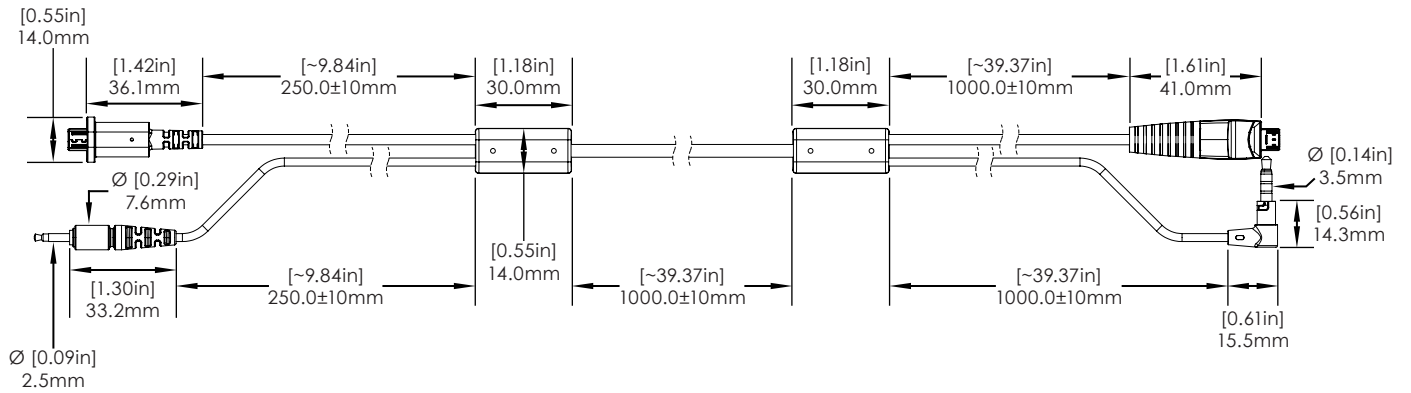


# Zips All-In-One Headphone Sensors/ Technical Specifications

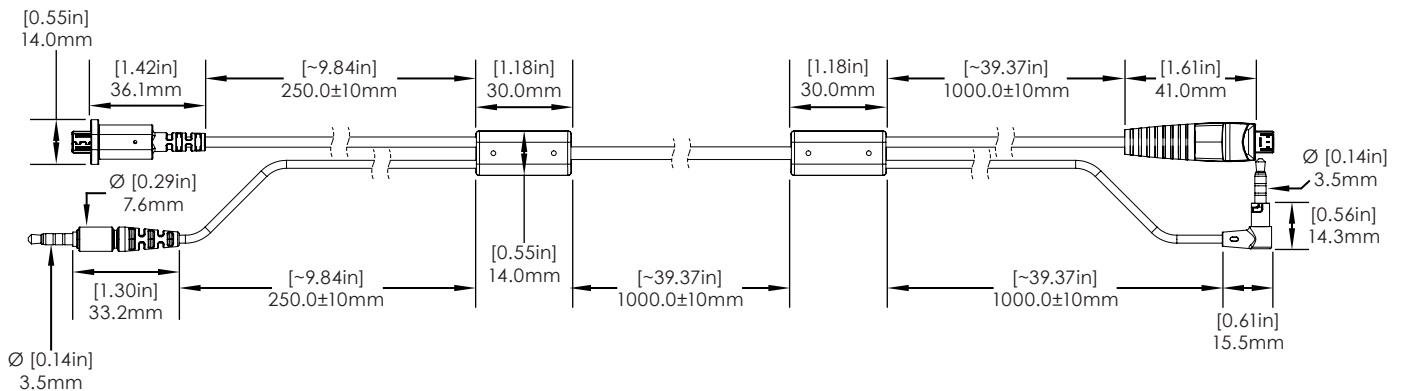
## SPECIFICATIONS

Headphone AP Micro, 2.5 Audio Sensor (ZB2510-B/W):



## SPECIFICATIONS

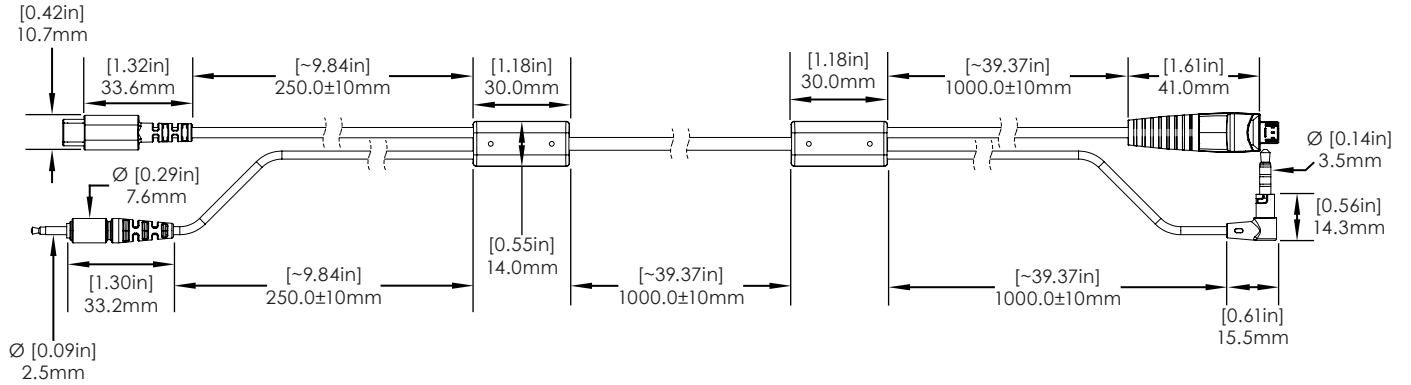
Headphone AP Micro, 3.5 Audio Sensor (ZB2511-B/W):



# Zips All-In-One Headphone Sensors/ Technical Specifications

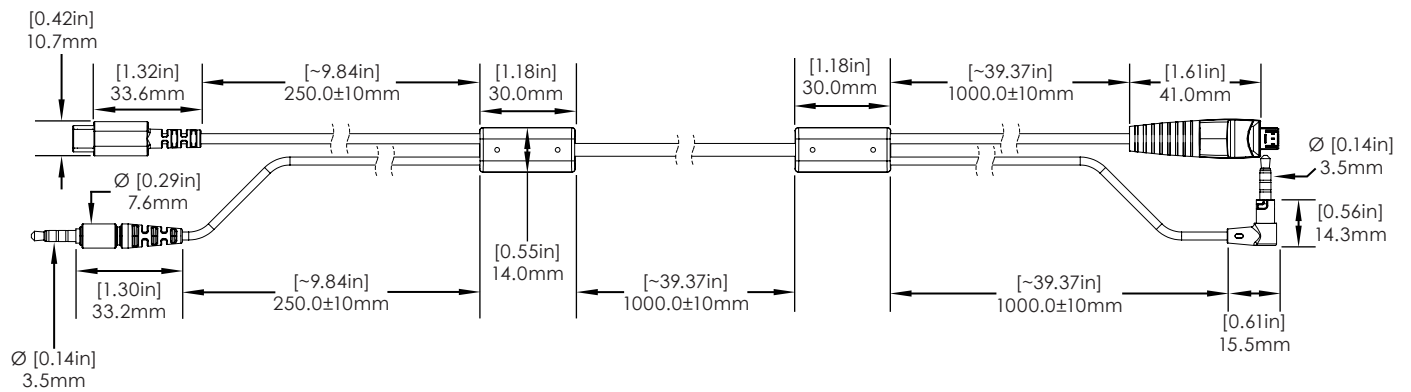
## SPECIFICATIONS

Headphone AP Type C, 2.5 Audio Sensor (ZB2520-B/W):



## SPECIFICATIONS

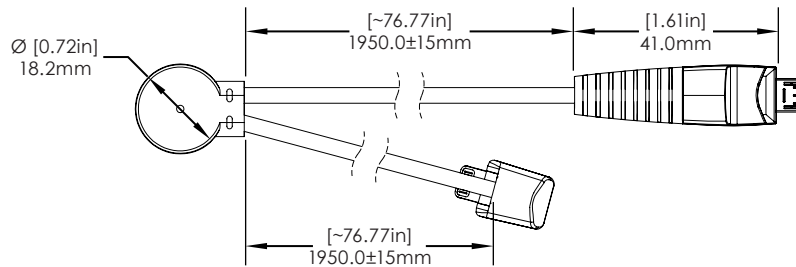
Headphone AP Type C, 3.5 Audio Sensor (ZB2521-B/W):



# Zips All-In-One Headphone Sensors/ Technical Specifications

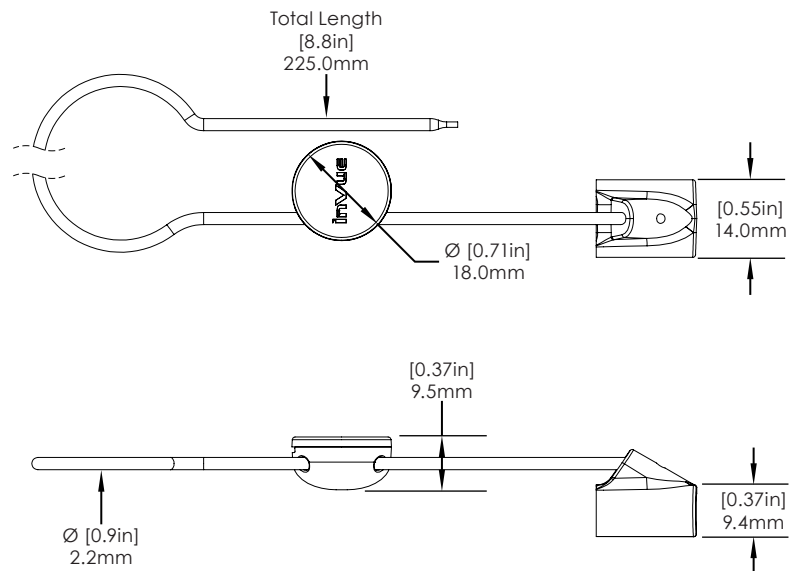
## SPECIFICATIONS

Headphone Lightning Power Alarming Sensor (ZB2525-B/W):



## SPECIFICATIONS

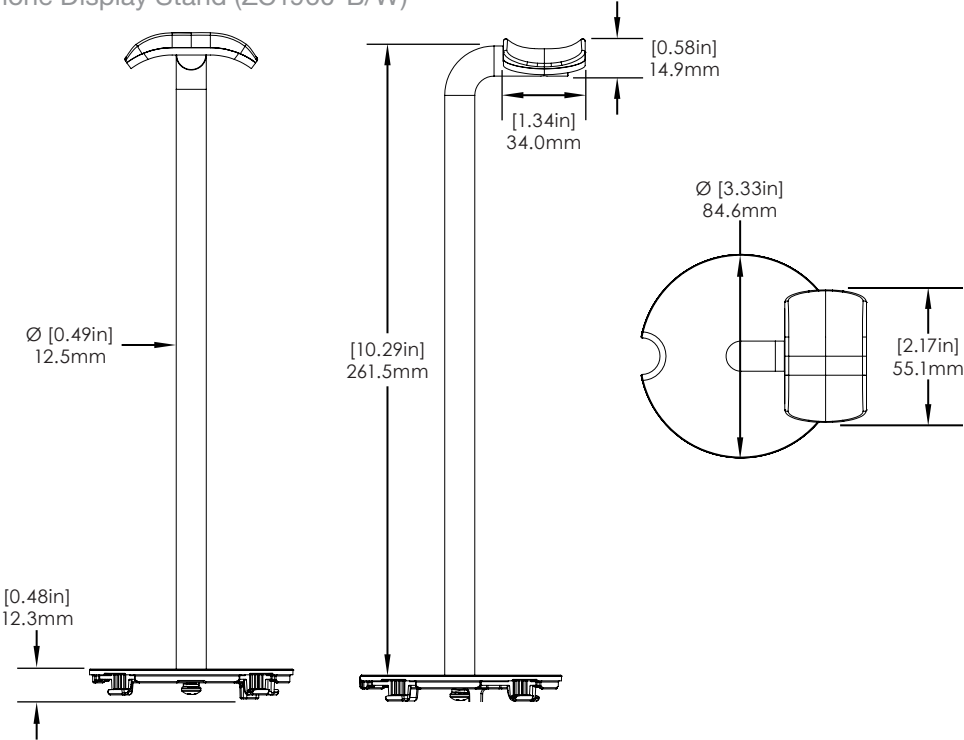
Headphone Adjustable Loop Holster (ZB2501-B/W):



# Zips All-In-One Headphone Sensors/ Technical Specifications

## SPECIFICATIONS

Zips Headphone Display Stand (ZC1960-B/W)



# Zips All-In-One Headphone Sensors/ Technical Specifications

## ZIPS ALL-IN-ONE HEADPHONE SENSORS

ORDER CODE	DESCRIPTION
ZB2510-B/W	Headphone AP Micro, 2.5 Audio Sensor
ZB2511-B/W	Headphone AP Micro, 3.5 Audio Sensor
ZB2520-B/W	Headphone AP Type C, 2.5 Audio Sensor
ZB2521-B/W	Headphone AP Type C, 3.5 Audio Sensor
ZB2525-B/W	Headphone Lightning Power Alarming Sensor

## ACCESSORIES

ORDER CODE	DESCRIPTION
ZB2501-B/W	Headphone Adjustable Loop Holster
ZC1960-B/W	Zips Headphone Display Stand (Requires Zips IoT Base Unit ZC1000)

©2022 InVue. No endorsement of InVue products has been made by any of the manufacturers of the products shown. Product is sold pursuant to InVue's warranty which can be found at [www.invue.com/warranty](http://www.invue.com/warranty).

**THE AMERICAS** 704.752.6513 • 888.55.INVUE

**EUROPE, MIDDLE EAST & AFRICA** +31.23.8900150

**ASIA PACIFIC** +852.3127.6811

